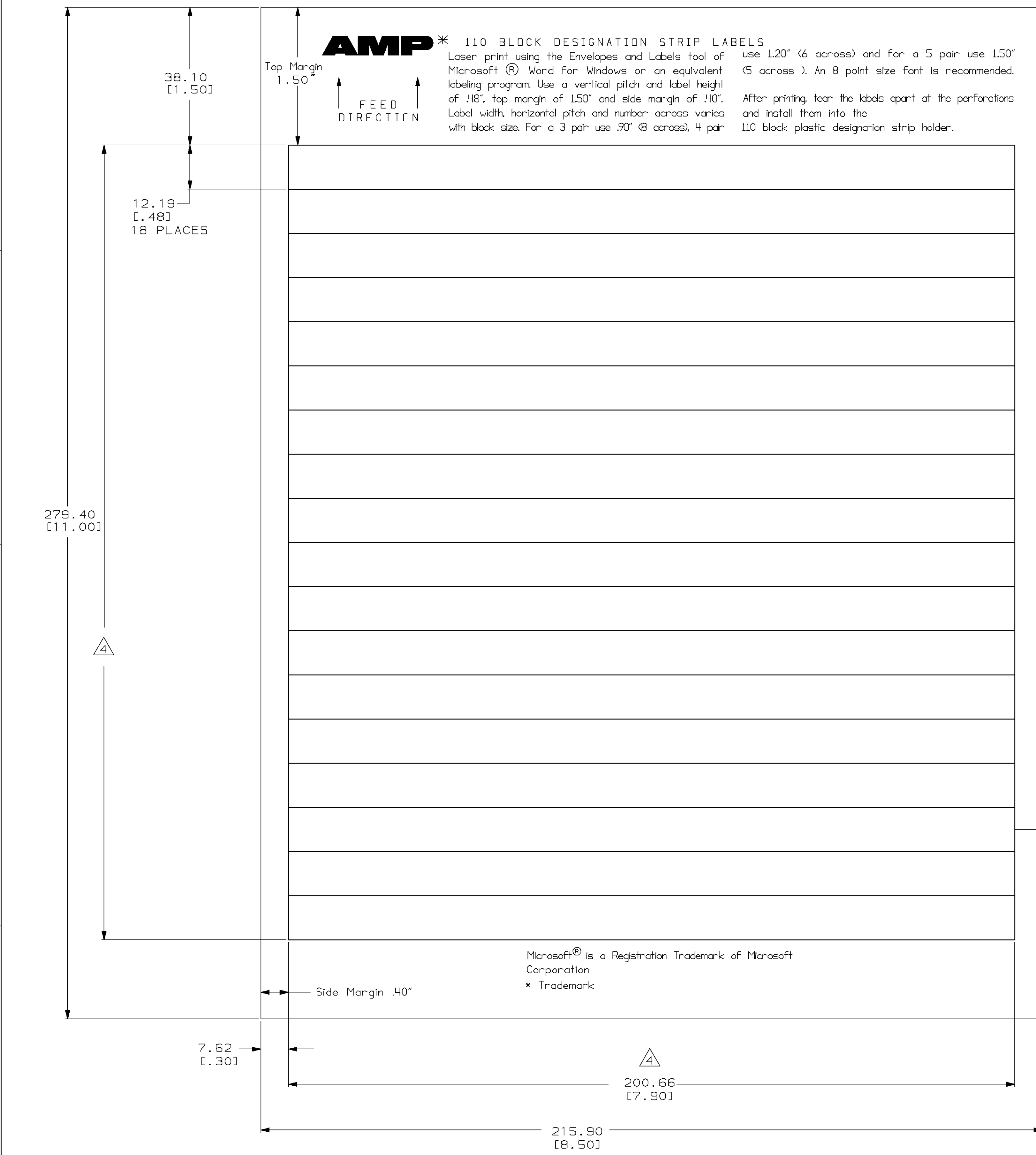
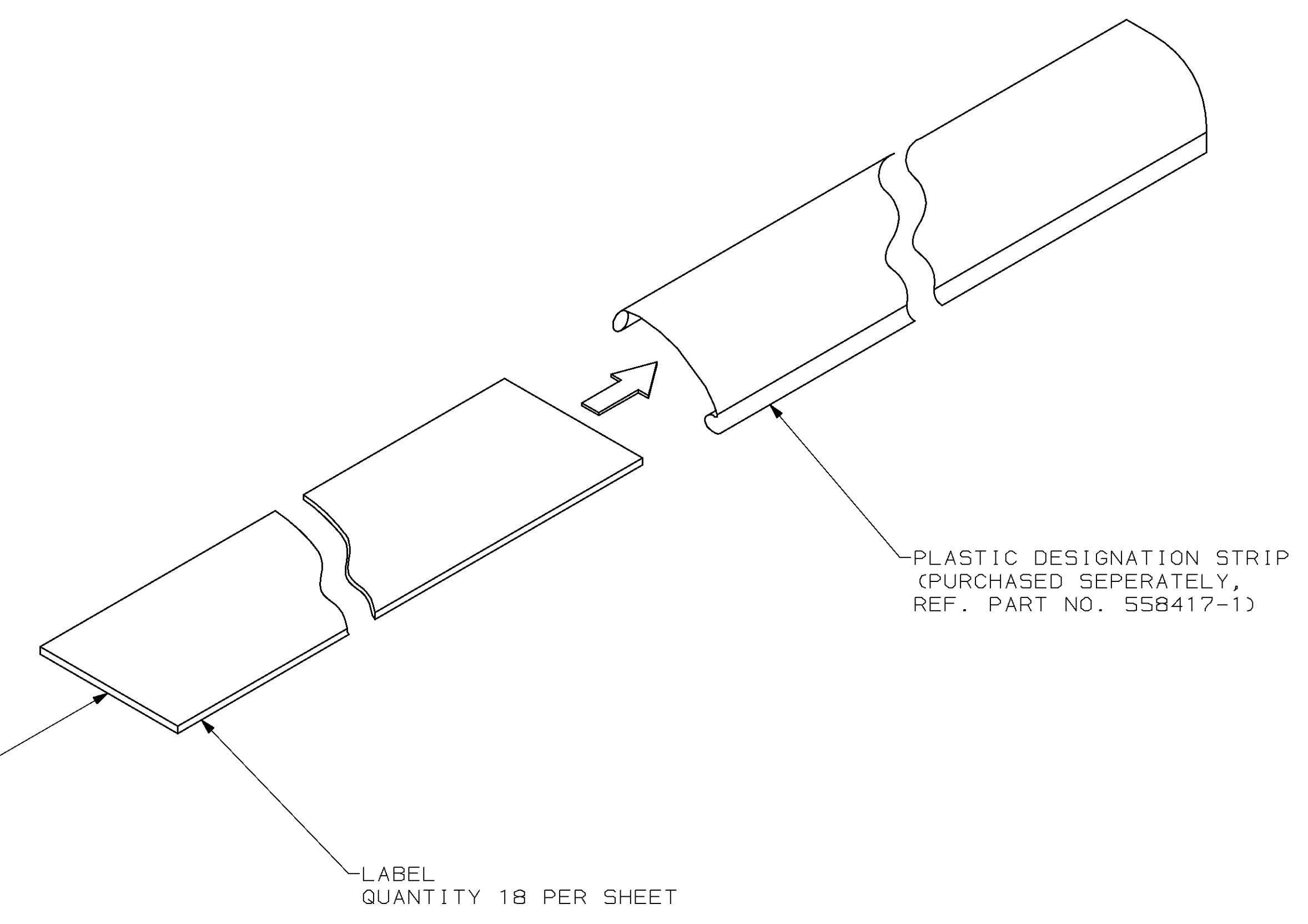


LOC	DIST	REVISIONS			
P	LR	DESCRIPTION	DATE	DWN	APVD
B		REV; EC 067A-0002-98	23JUL98	GG	SH



- 1. MATERIAL: 0.1905 [0.0075] THICK LASER PRINTABLE GREEN LABELS.
- 2. TEN SHEETS OF LABELS PER PACKAGE. 18 LABELS PER SHEET. TOTAL OF 180 LABELS PER PACKAGE.
- 3. INDIVIDUAL LABELS SEPERATED BY PERFORATIONS ON EACH SHEET.
- 4. AREA TO BE COLORED GREEN.
- 5. SEE RESTRICTED CUSTOMER DRAWING 3-1116031-1.



1116031-1
PART NO.

THIS DRAWING IS A CONTROLLED DOCUMENT.		DWN: S. GARRETT 11NOV97	AMP AMP Incorporated Harrisburg, PA 17105-3508	
DIMENSIONS: mm (INCHES)		CHK: G. GARRETT 11NOV97	APVD: S. HERNDON 11NOV97	NAME: STRIPS, DESIGNATION, GREEN
TOLERANCES UNLESS OTHERWISE SPECIFIED:		PRODUCT SPEC: -		
0 PLC	±	APPLICATION SPEC: -		
1 PLC	±	WEIGHT: -		
2 PLC	+0.51 [.02]	SIZE: A1	CAGE CODE: 00779	DRAWING NO: 1116031
3 PLC	+0.13 [.005]	SCALE: NONE		
4 PLC	±	SHEET 1 OF 1		
ANGLES	±	REV B		
FINISH	-	CUSTOMER DRAWING		

SHEET PRINTING LAYOUT